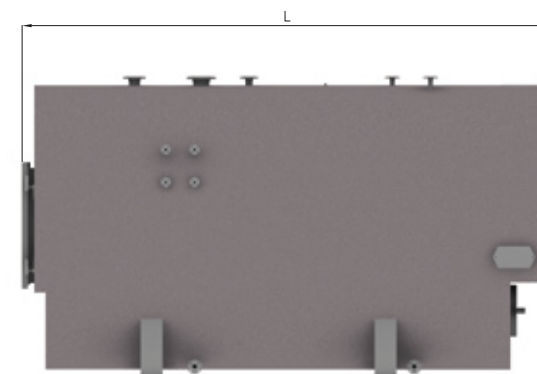
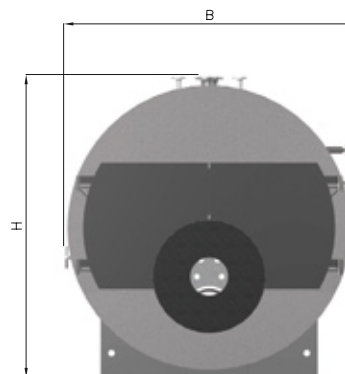
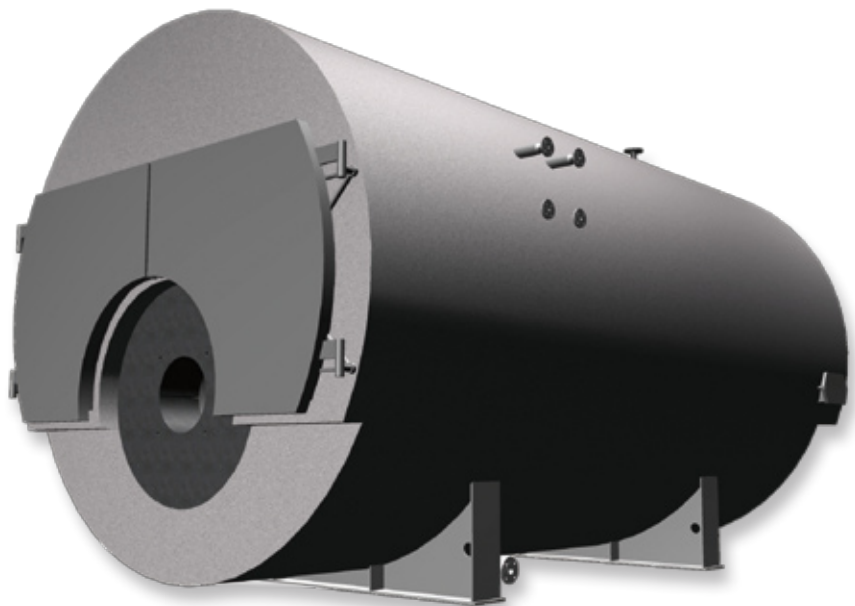
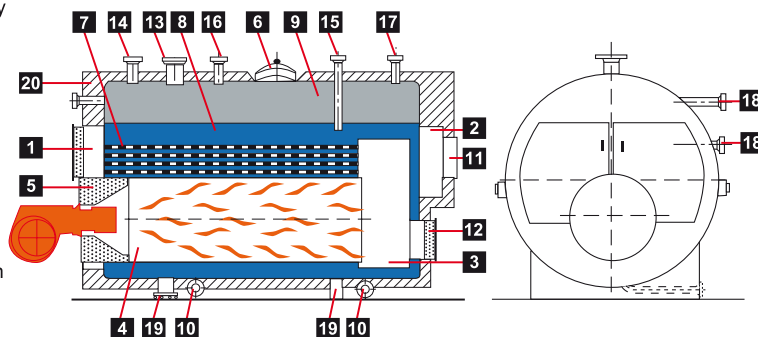


# VAPOR STEAM BOILERS – TECHNICAL SPECIFICATIONS



- 1 Front reversal chamber
- 2 Flue gas chamber
- 3 Combustion chamber
- 4 Furnace
- 5 Burner plate with refractory
- 6 Manhole
- 7 Smoke tubes
- 8 Water space
- 9 Steam space
- 10 Drainage and blow down
- 11 Flue gas duct connection
- 12 Explosion hatch
- 13 Main steam connection
- 14 Level control connection
- 15 Feed water connections
- 16 Auxiliary steam connection
- 17 Safety relief valve connections
- 18 Water level indicator
- 19 Support
- 20 Insulation



## VAPOR TTK STEAMBOILERS

Type	Output kg/h	Power MW	Normal water capacity m <sup>3</sup>	Weight t	Main dimensions mm		
					L	B	H
TTK-60	2600	1,7	6,8	7,8	4530	2400	2535
TTK-70	3000	2,0	7,7	9,5	4830	2550	2600
TTK-80	3500	2,3	8,0	9,8	4980	2590	2670
TTK-90	4000	2,6	8,1	10,0	4880	2630	2720
TTK-100	4600	3,0	9,2	11,7	5080	2750	2750
TTK-125	5400	3,5	11,8	13,0	5180	2980	3050
TTK-150	6600	4,3	13,2	15,8	5580	3050	3150
TTK-175	7700	5,0	15,4	18,1	5730	3230	3300
TTK-200	9200	6,0	17,5	20,9	6080	3290	3400
TTK-250	11000	7,2	19,3	23,0	6130	3450	3600
TTK-300	13000	8,5	23,8	28,6	6630	3700	3800
TTK-350	16000	10,4	32,1	33,1	7900	3860	4000
TTK-400	18000	11,7	33,2	33,3	8100	3860	4000

Technical specifications, including insulation and masonry, pressure class 10 bar



**VAPOR**  
BOILERS SINCE 1959